

I PORT CONNECT MOUNT

CONNECT WEDGEMOUNT



72385 CONNECT WEDGEMOUNT - BLACK

I PORT CONNECT WEDGE MOUNT Install Manual

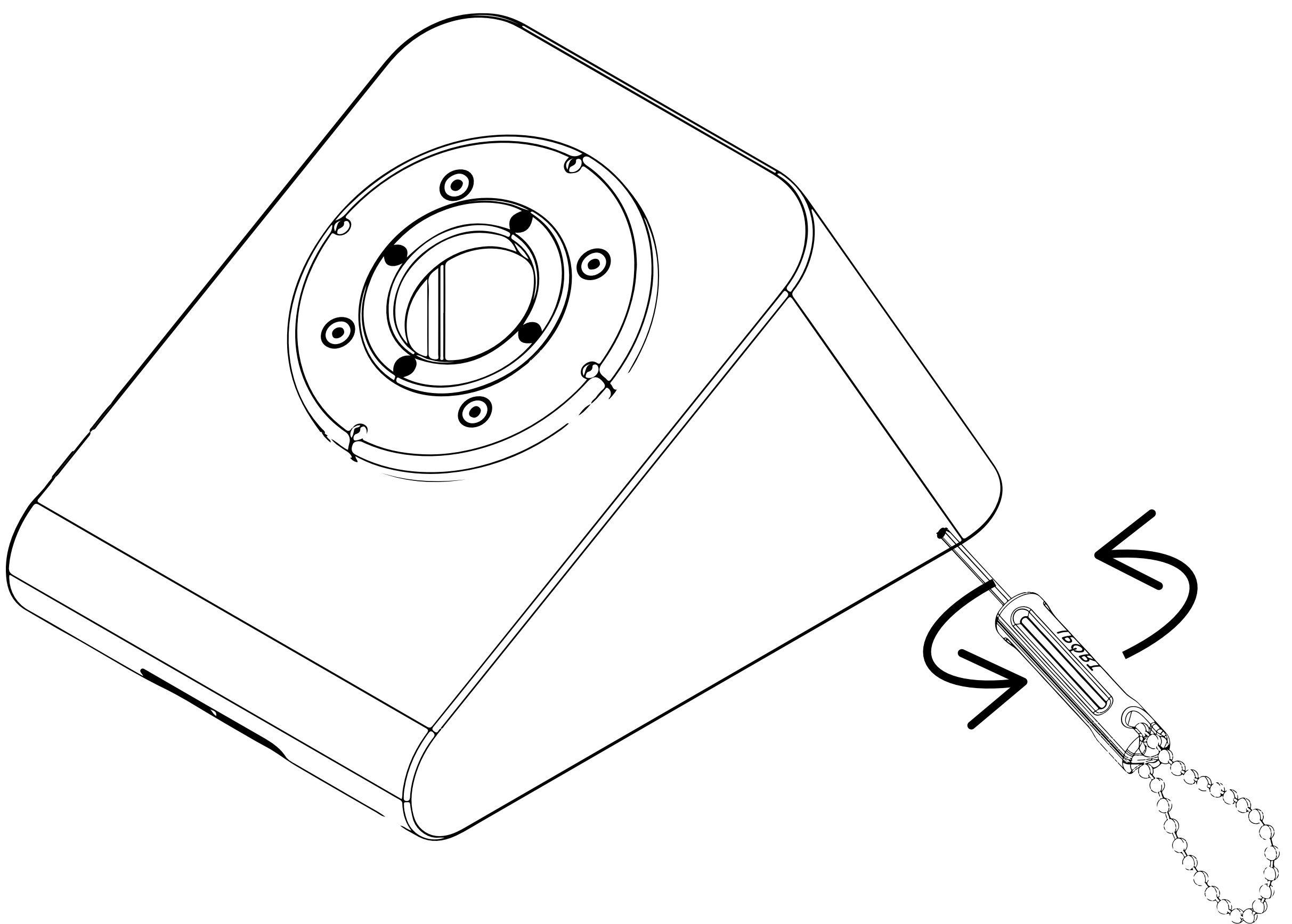
Thank you for purchasing the all new IPORT CONNECT Platform. We hope you enjoy this revolutionary new system and if at any time you need more assistance please contact IPORT Tech Support via Online chat or through our help desk.

- IPORT Team

CONNECT WEDGEMOUNT

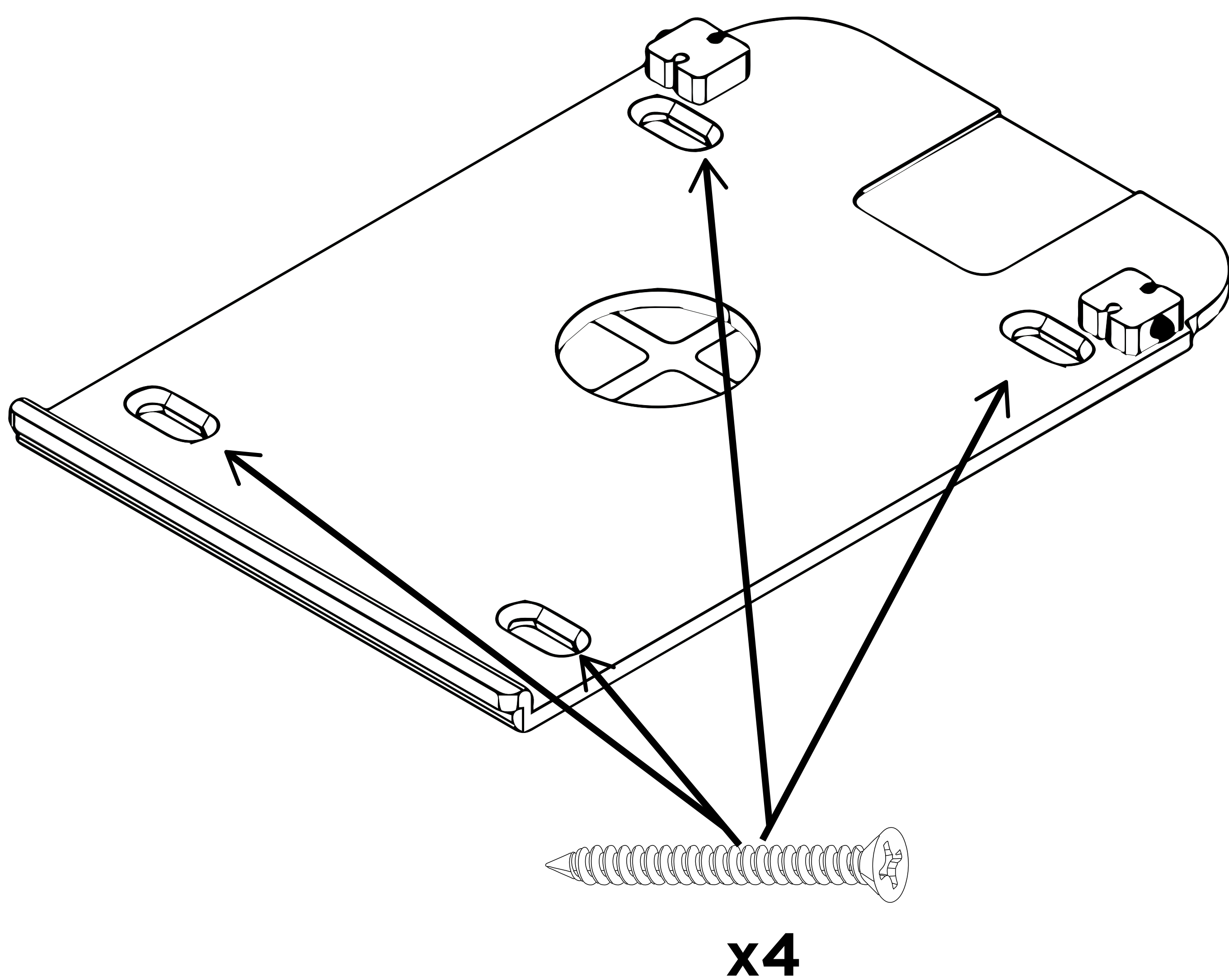
I PORT CONNECT WEDGEMOUNT Install PoE+ Data

- 1. Use the Provided IPORT Security tool to unlock the Wedge Mount from the Security foot. Insert the tool into the small holes found on the left and right of the WedgeMount. Turn the tool counterclockwise until the tool stops spinning.**



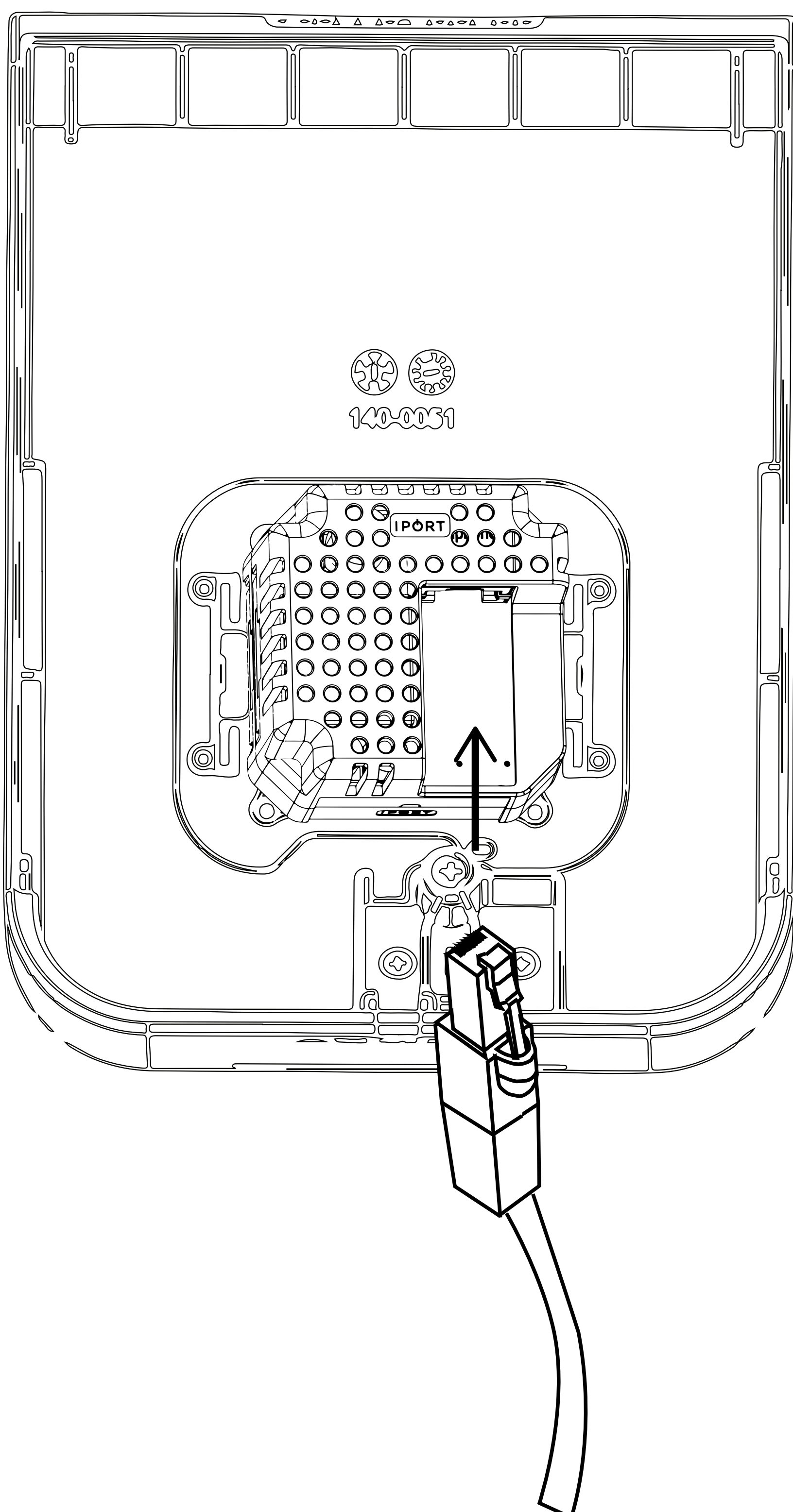
CONNECT WEDGEMOUNT

- 2. Place the Security foot in the desired location, drill pilot holes and use the 4 provided screws to secure the security foot to a solid surface.**



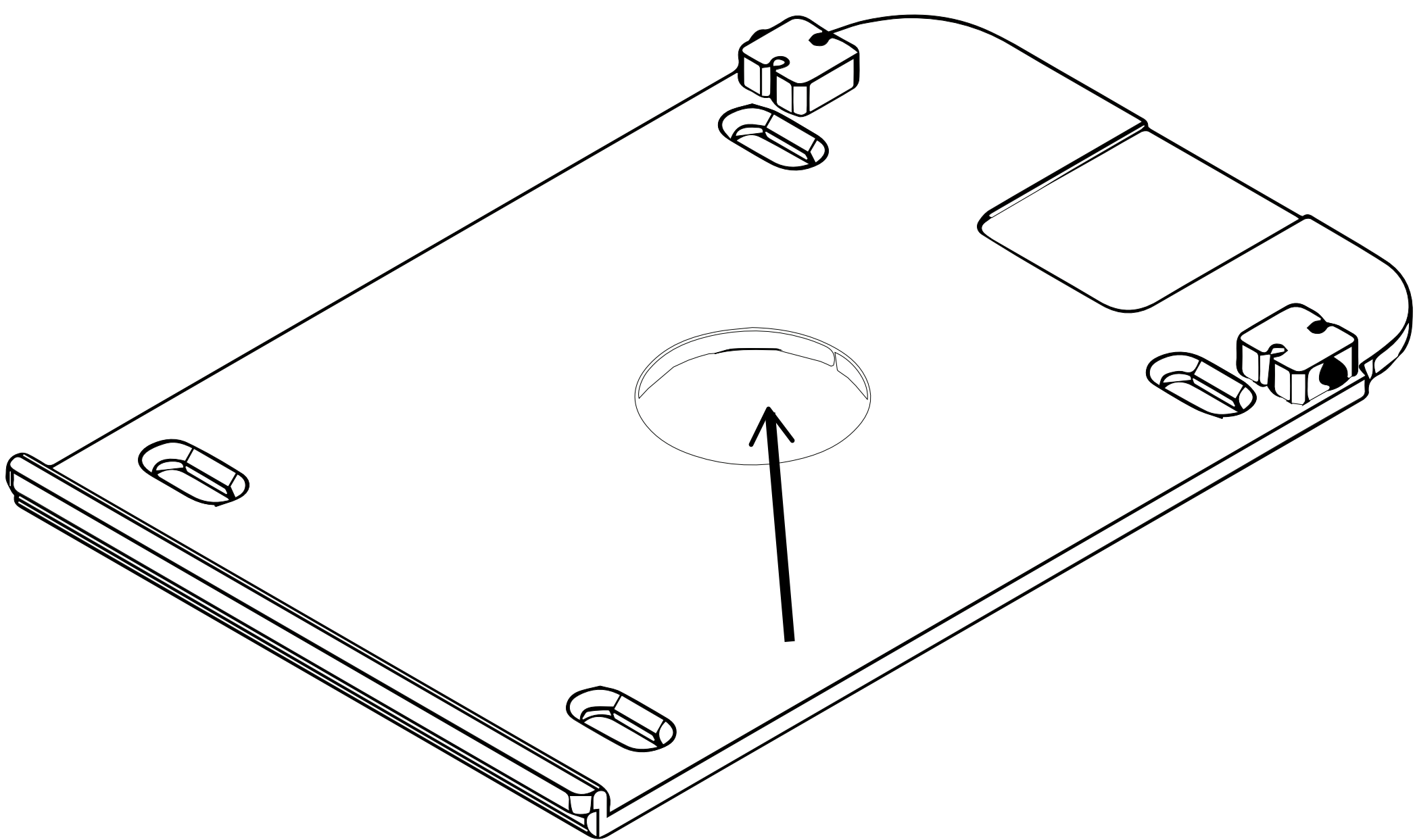
CONNECT WEDGEMOUNT

- 3. Flip the Wedge Mount over and insert the CAT6 cable into the RJ45 of the PoE+ Adapter inside the CONNECT Wedge Mount.**

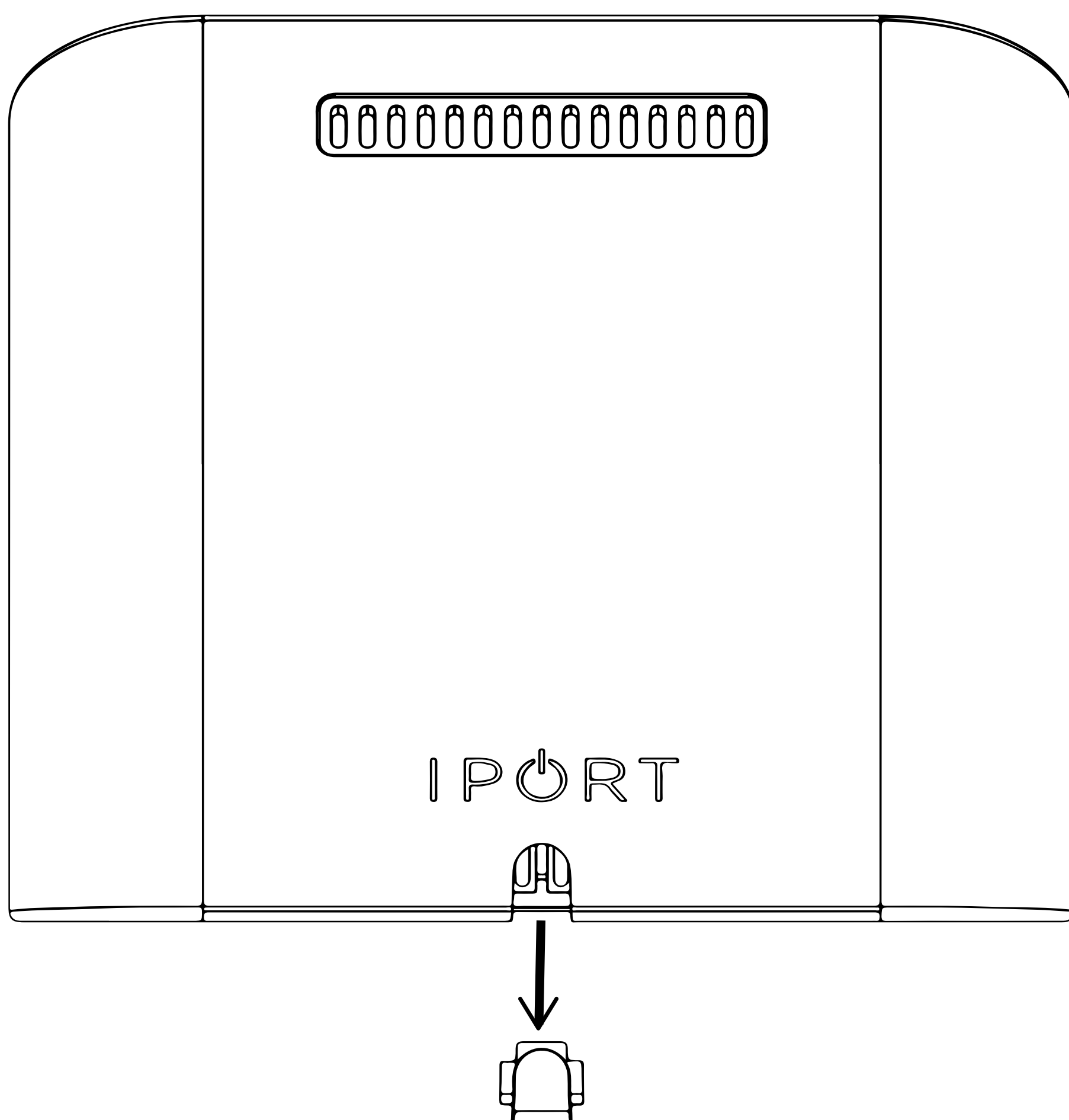


CONNECT WEDGEMOUNT

- 4. Option A, Run the cat6 cable through the center of the security foot for a clean cable free install.**

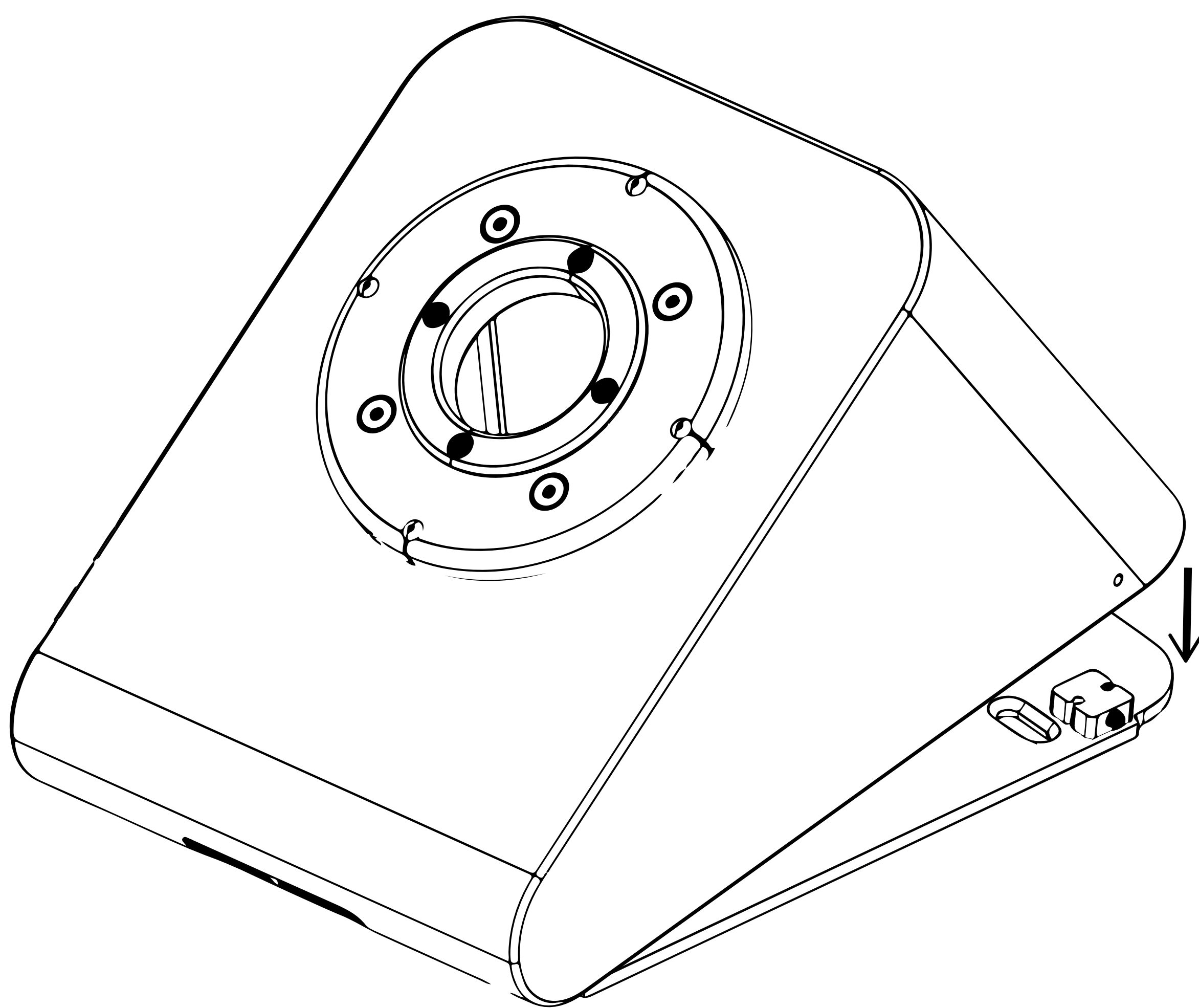


- 4. Option B, Run the cable out the back of the WedgeMount making sure to remove the cable channel cover.**



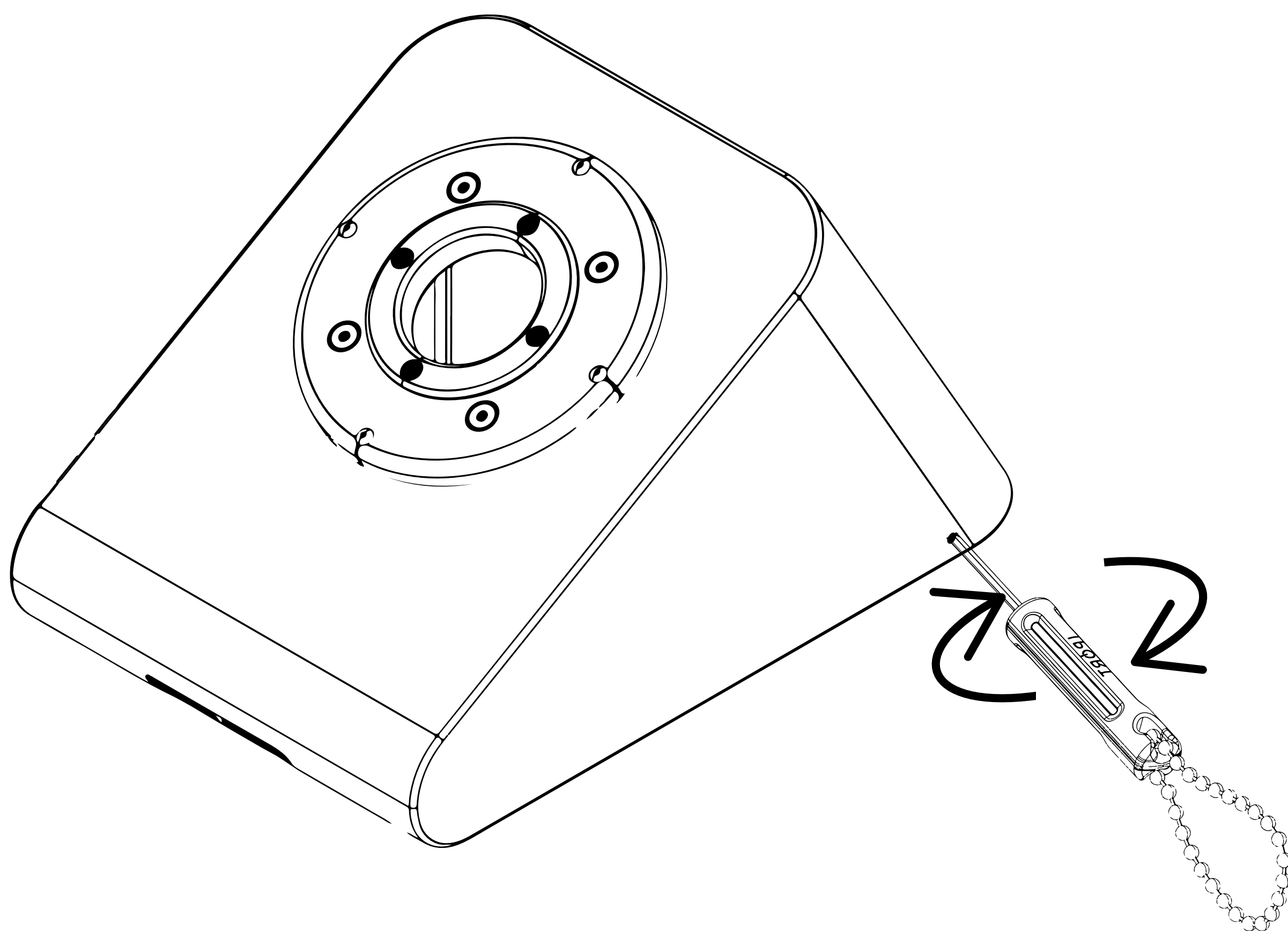
CONNECT WEDGEMOUNT

- 5. Reinstall the WedgeMount onto the security foot making sure to hook the front of the security foot to the WedgeMount and set firmly down.**



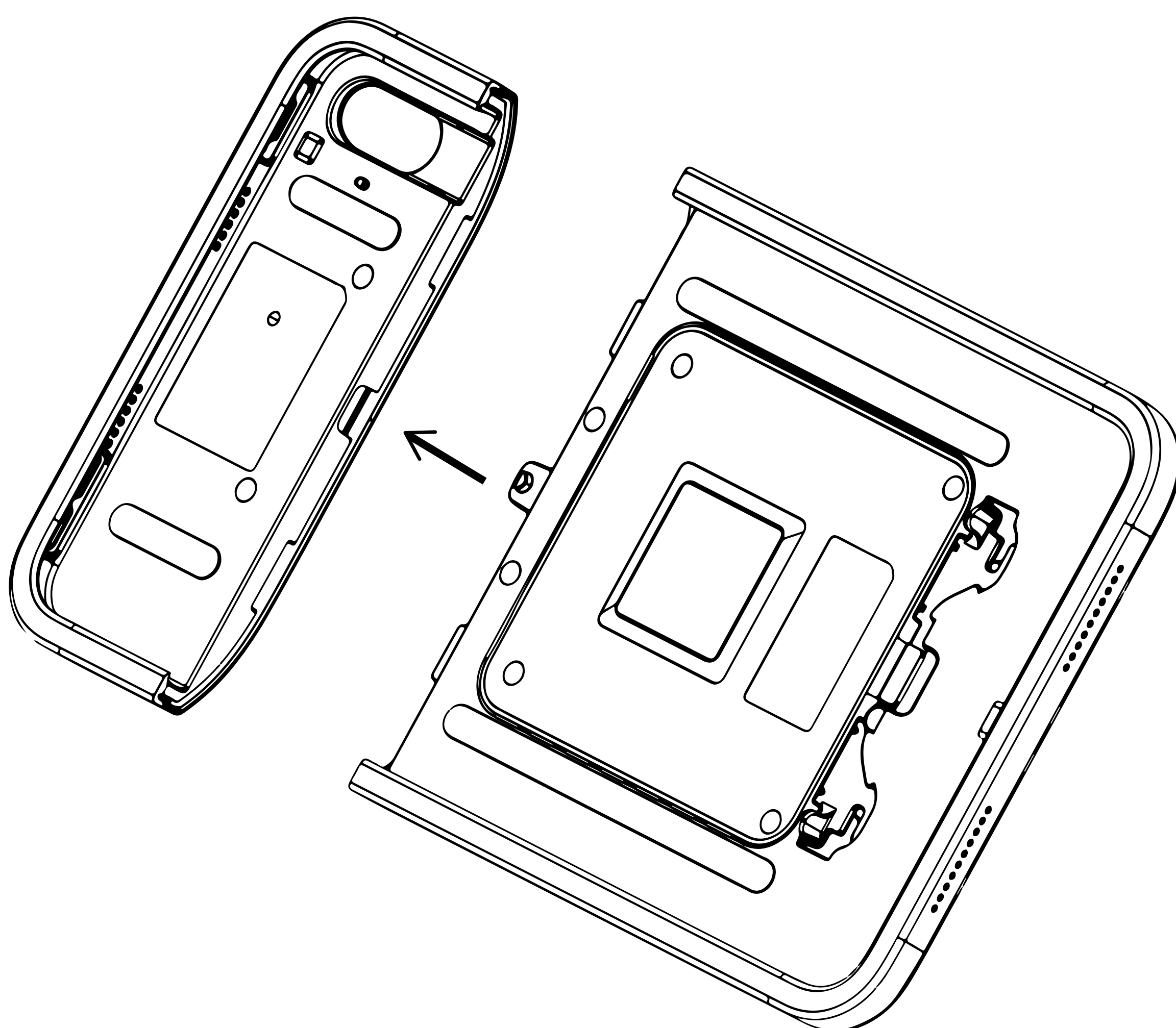
CONNECT WEDGEMOUNT

- 6. Use the provided IPORT Security Tool to lock the WedgeMount to the security foot. Turn the tool clockwise until it stops on both sides of the Wedge Mount.**



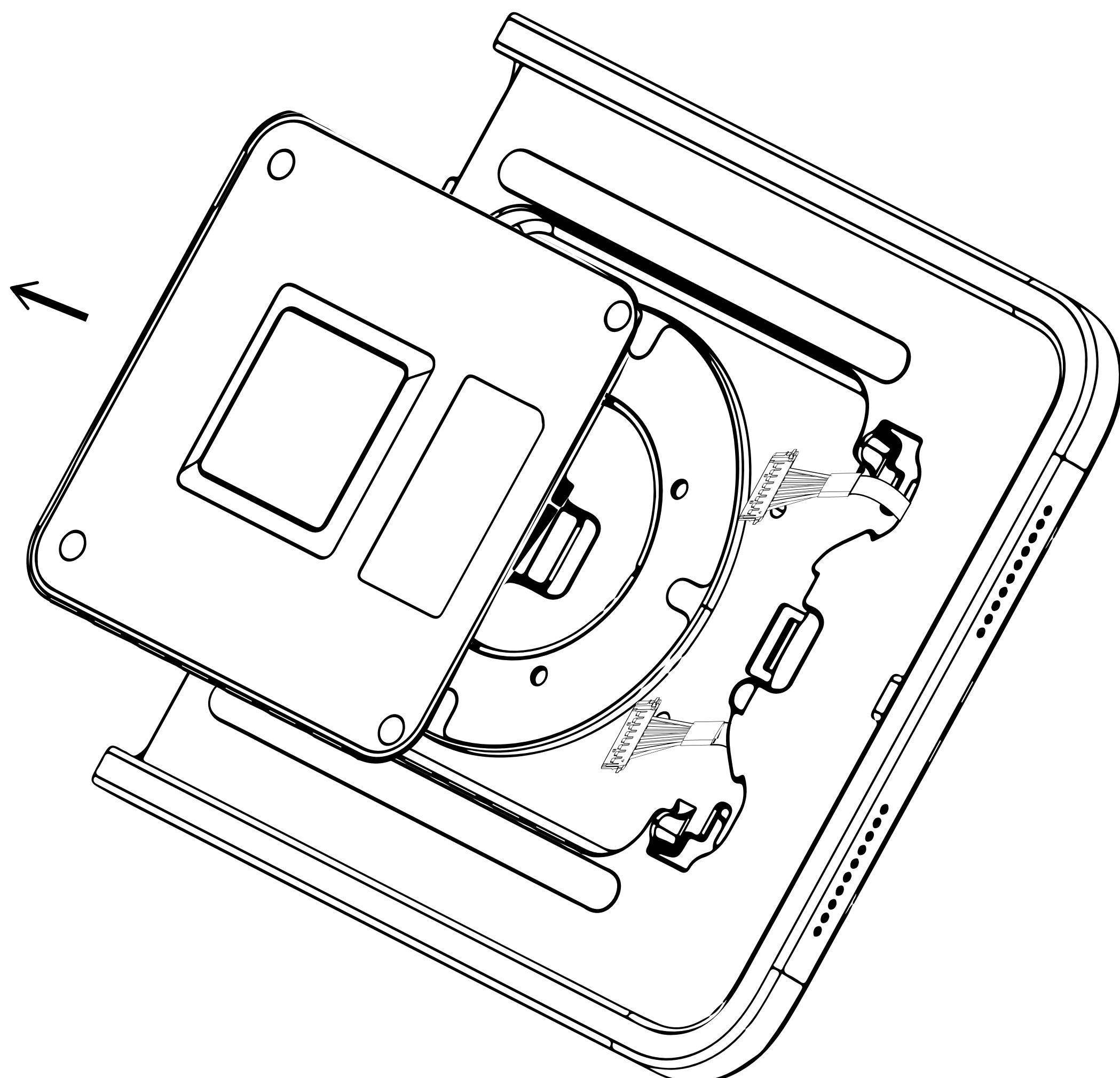
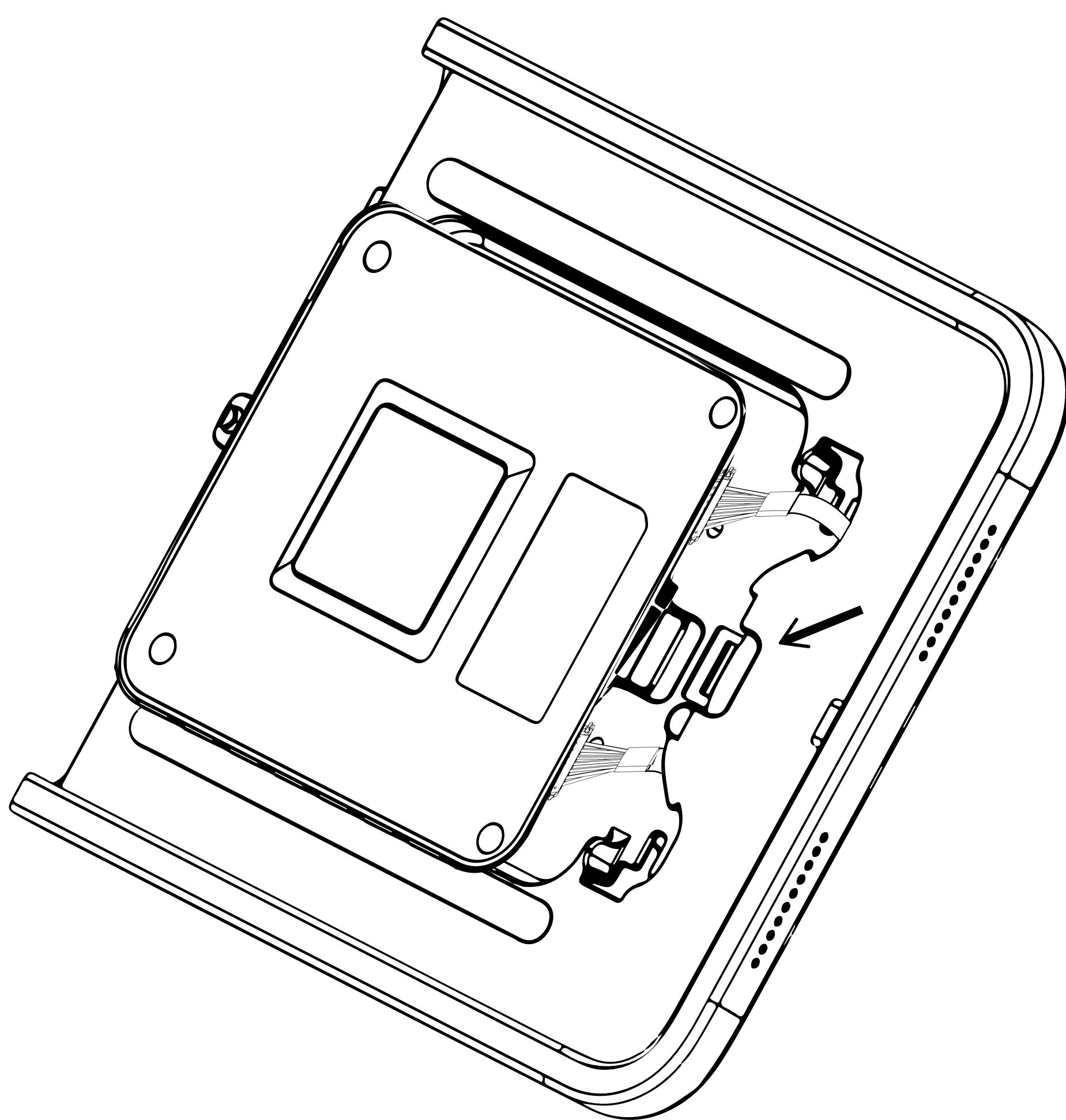
CONNECT WEDGEMOUNT

- 7. Remove the Case Top from the IPORT CONNECT PRO Case by pressing up and separating the two halves of the case.**



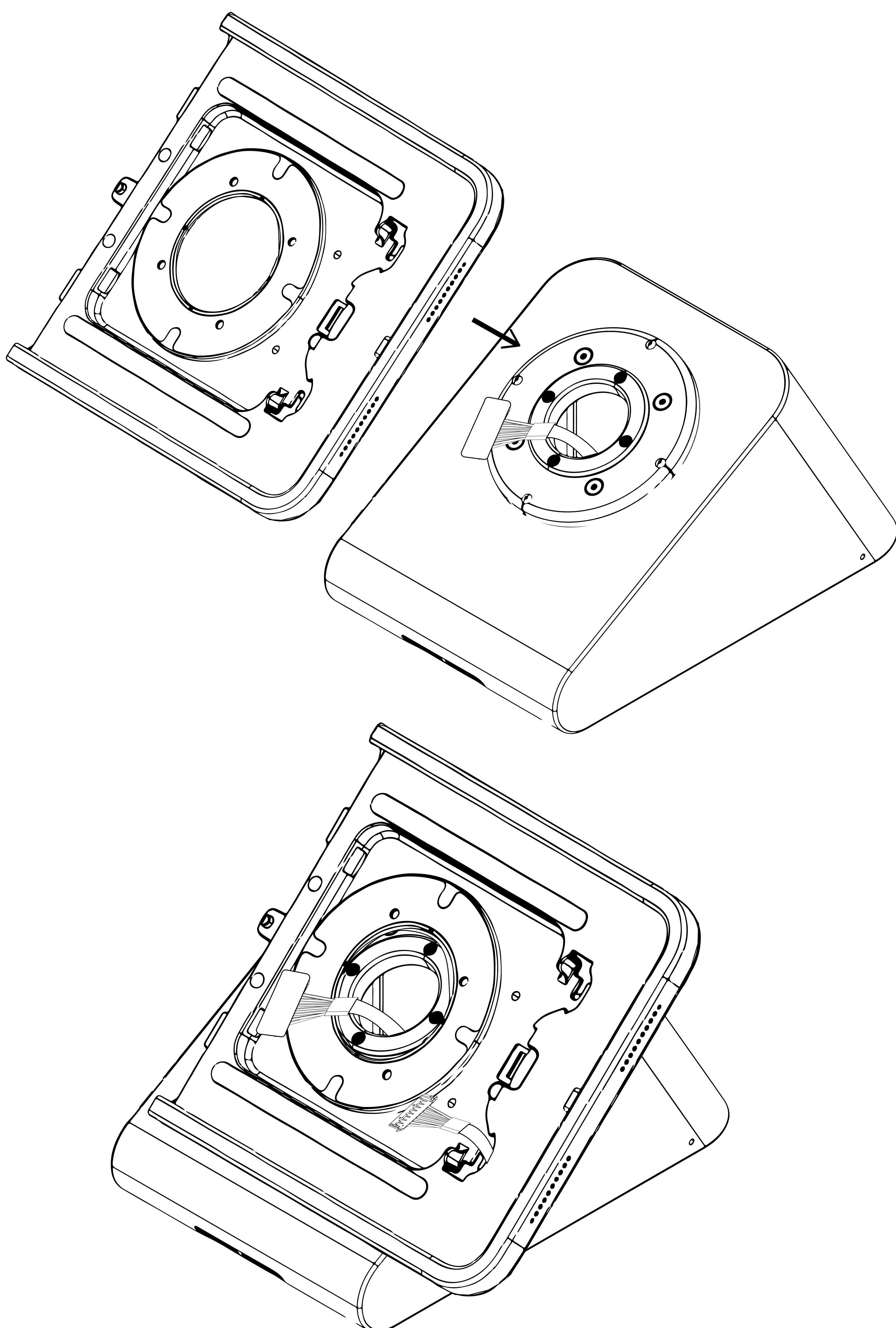
CONNECT WEDGEMOUNT

- 8. Remove the electronics board from the IPORT CONNECT PRO Case by pressing up the release tab toward the top of the case. Make sure to disconnect the two attached cables.**



CONNECT WEDGEMOUNT

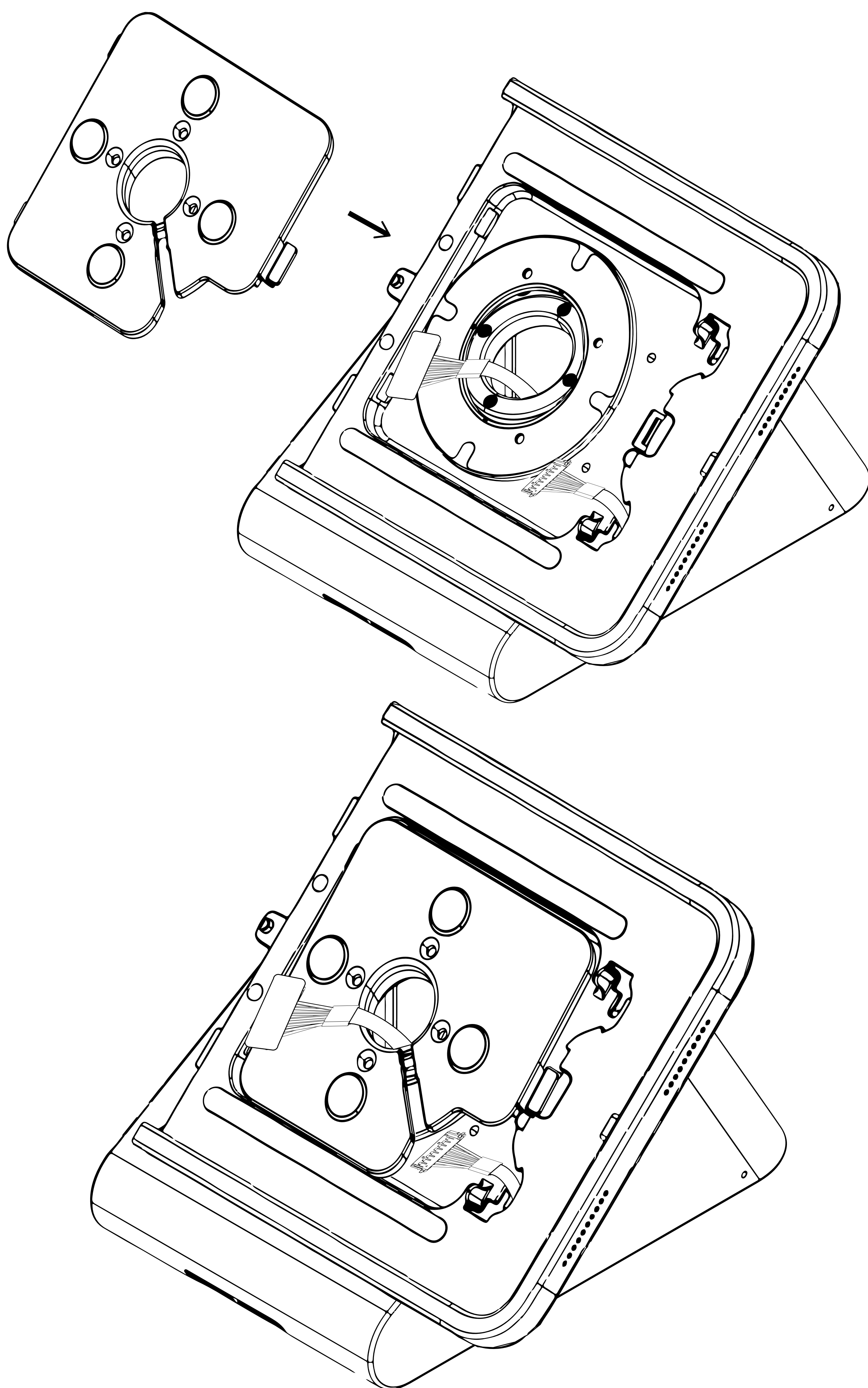
- 9. Place the Case onto the WedgeMount, making sure to run the Molex cable through the center of the Case before placing on the WedgeMount.**



I PORT CONNECT MOUNT

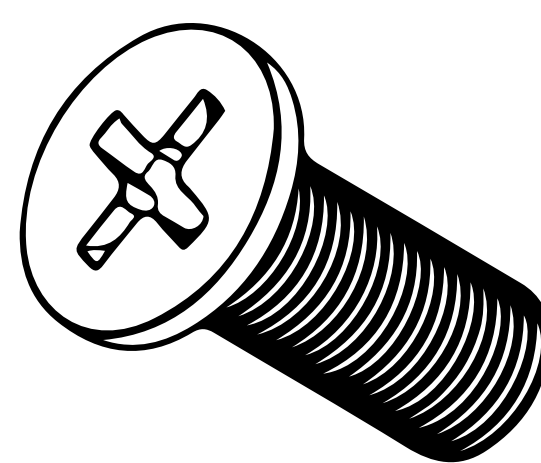
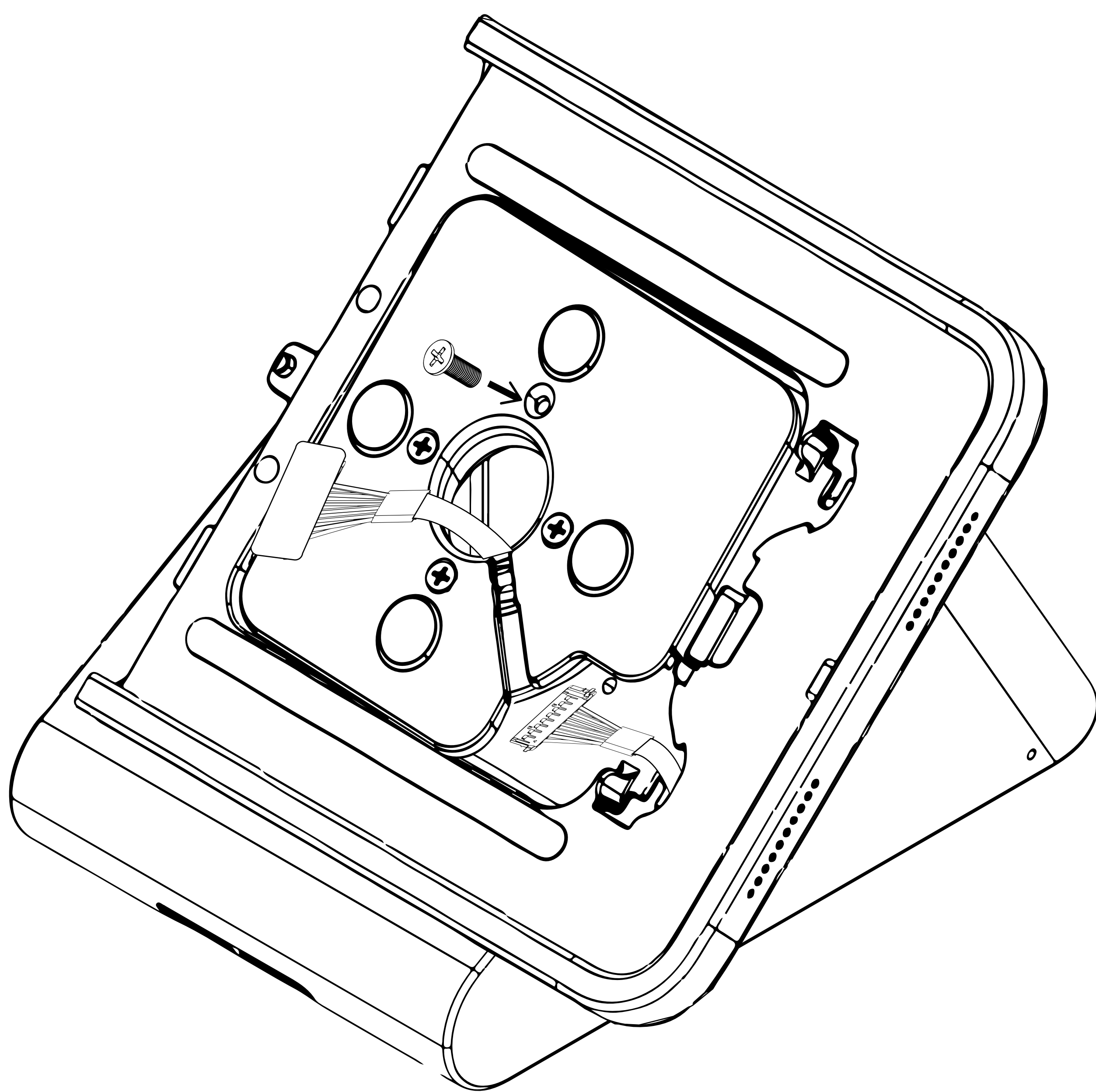
CONNECT WEDGEMOUNT

- 10. Insert the Mounting Plate into the Case and feed the Molex cable through the center hole. Make sure the Mounting plate clips into place.**



CONNECT WEDGEMOUNT

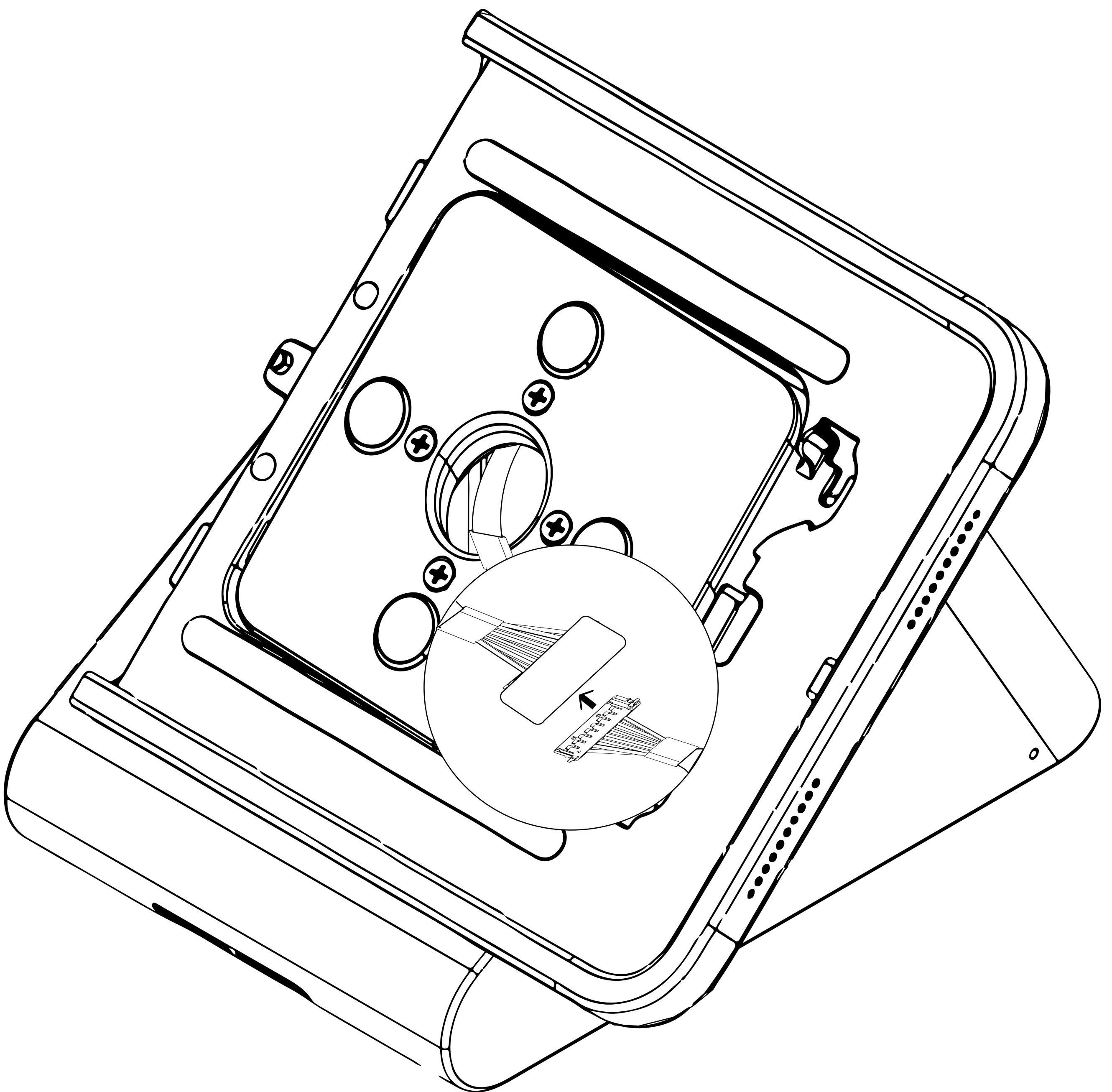
- 11. Use the 4 provided machine screws and secure the Mounting Plate and Case to the WedgeMount.**



x4

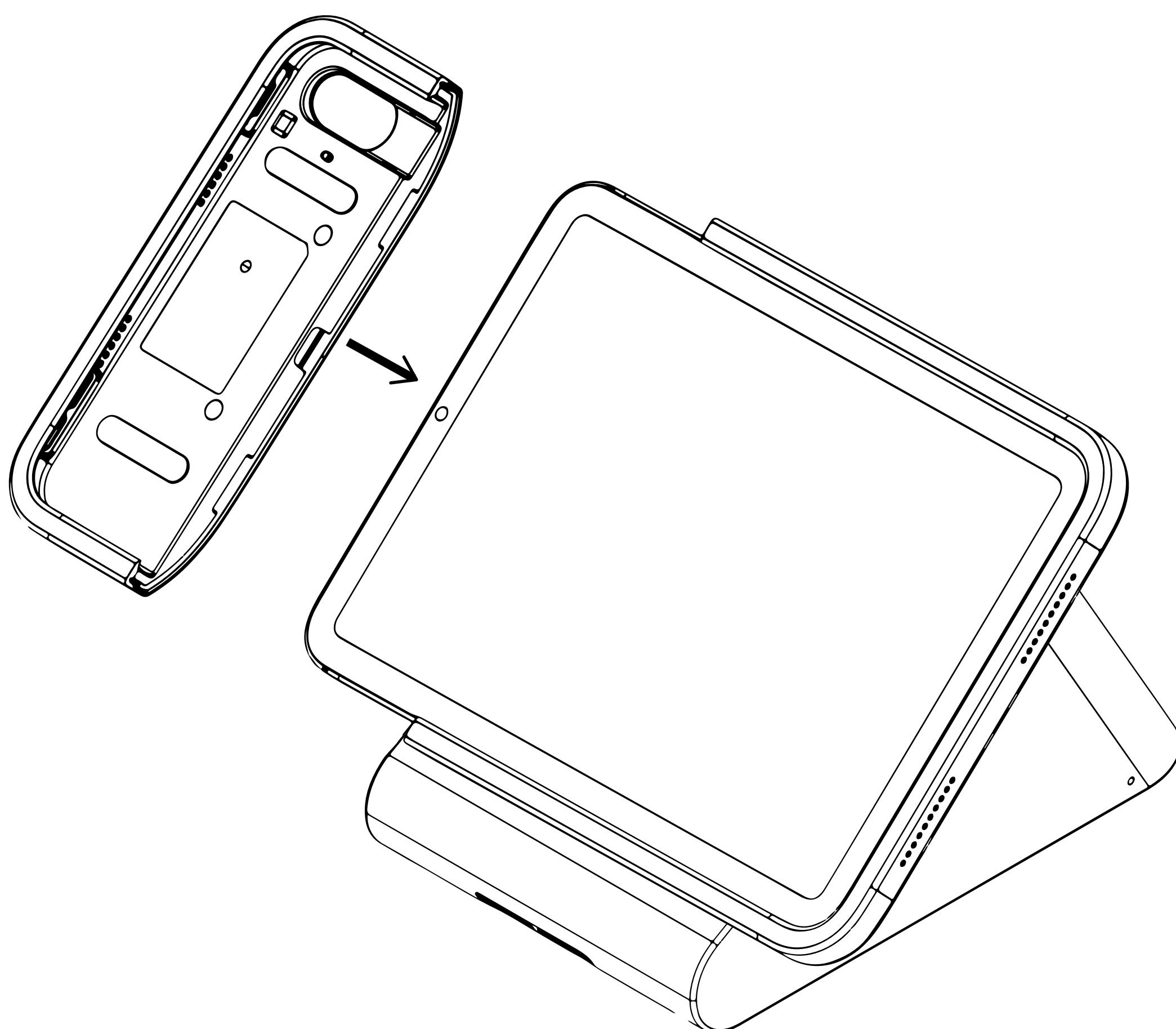
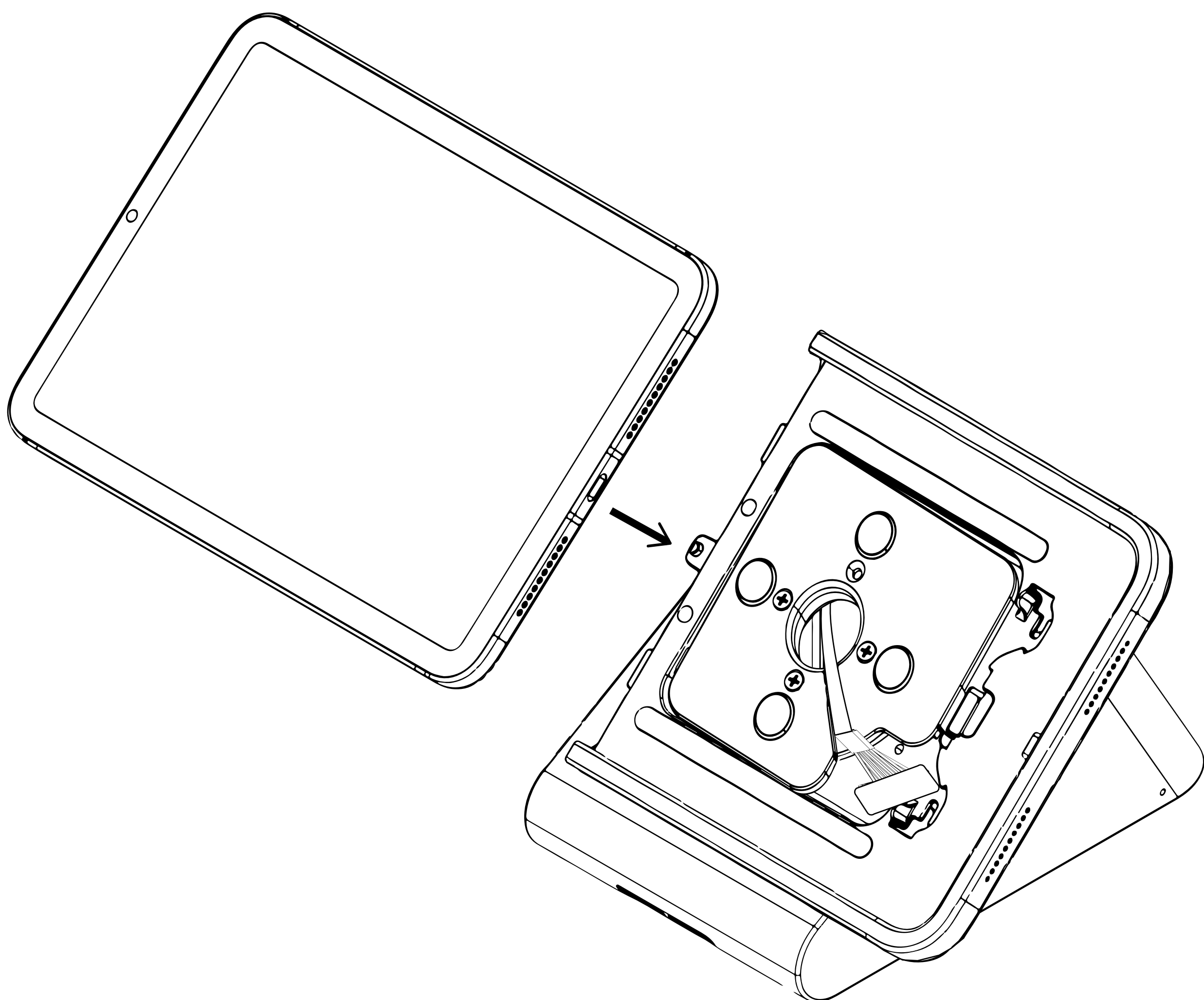
CONNECT WEDGEMOUNT

- 12. Connect the two Molex cables together and place in the channel of the mounting bracket.**



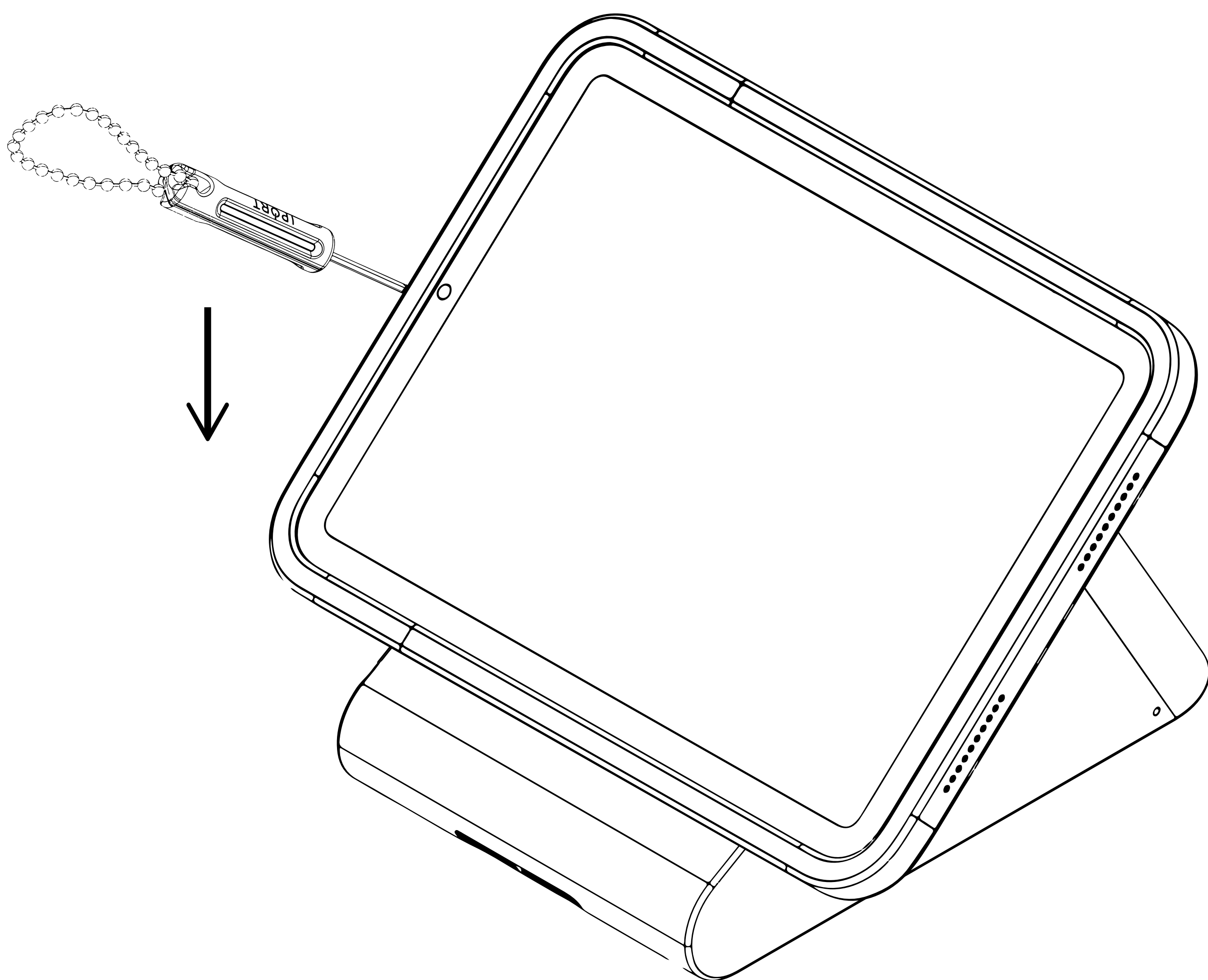
CONNECT WEDGEMOUNT

- 13. Install the iPad into the Case and attach the Case Top.**



CONNECT WEDGEMOUNT

- 14. Use the provided IPORT Security tool to lock the Case top onto the Case securing the iPad.**



COMPLETE